

# DATA SHEET

## **TDA8010M; TDA8010AM** Low power mixers/oscillators for satellite tuners

Objective specification  
Supersedes data of 1996 Oct 08  
File under Integrated Circuits, IC02

1996 Oct 24

## Low power mixers/oscillators for satellite tuners

## TDA8010M; TDA8010AM

### FEATURES

- Fully balanced mixer with common base input
- Wide input power and frequency range
- One-band 2 pin oscillator
- Local oscillator buffer and prescaler
- SAW filter IF preamplifier with gain control input and switchable output
- Bandgap voltage stabilizer for oscillator stability
- External IF filter between the mixer output and the IF amplifier input.

### GENERAL DESCRIPTION

The TDA8010M; TDA8010AM are integrated circuits that perform the mixer/oscillator function in satellite tuners. The devices include a gain controlled IF amplifier that can directly drive two single-ended SAW filters or a differential SAW filter using a three function switchable output. They contain an internal LO prescaler and buffer that is compatible with the input of a terrestrial or satellite frequency synthesizer. They are also suitable for digital TV tuners. These devices are available in small outline packages that give the designer the capability to design an economical and physically small satellite tuner.

### APPLICATIONS

- Down frequency conversion in DBS (Direct Broadcasting Satellite) satellite receivers.

### QUICK REFERENCE DATA

SYMBOL	PARAMETER	CONDITIONS	MIN.	TYP.	MAX.	UNIT
$V_{CC}$	supply voltage		4.5	5.0	5.5	V
$I_{CC}$	supply current		–	70	–	mA
$f_{RF}$	RF frequency range		700	–	2150	MHz
$f_{osc}$	oscillator frequency		1380	–	2650	MHz
$NF_M$	mixer noise figure	corrected for image	–	10	–	dB
$G_{max}$	maximum total gain	mixer plus IF	–	40	–	dB
$G_{min}$	minimum total gain	mixer plus IF	–	–17	–	dB

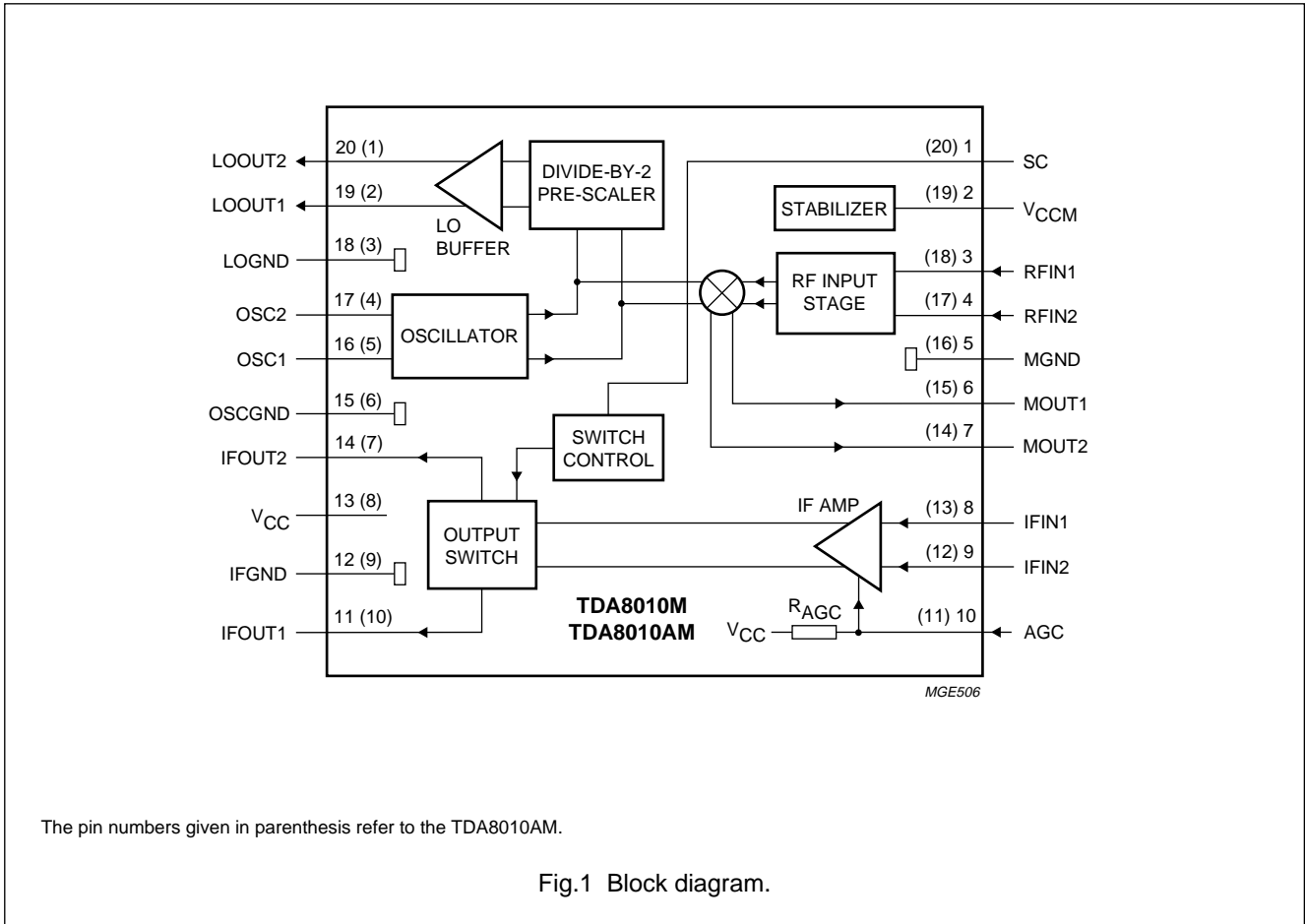
### ORDERING INFORMATION

TYPE NUMBER	PACKAGE		
	NAME	DESCRIPTION	VERSION
TDA8010M	SSOP20	plastic shrink small outline package; 20 leads; body width 4.4 mm	SOT266-1
TDA8010AM			

Low power mixers/oscillators  
for satellite tuners

TDA8010M; TDA8010AM

BLOCK DIAGRAM



The pin numbers given in parenthesis refer to the TDA8010AM.

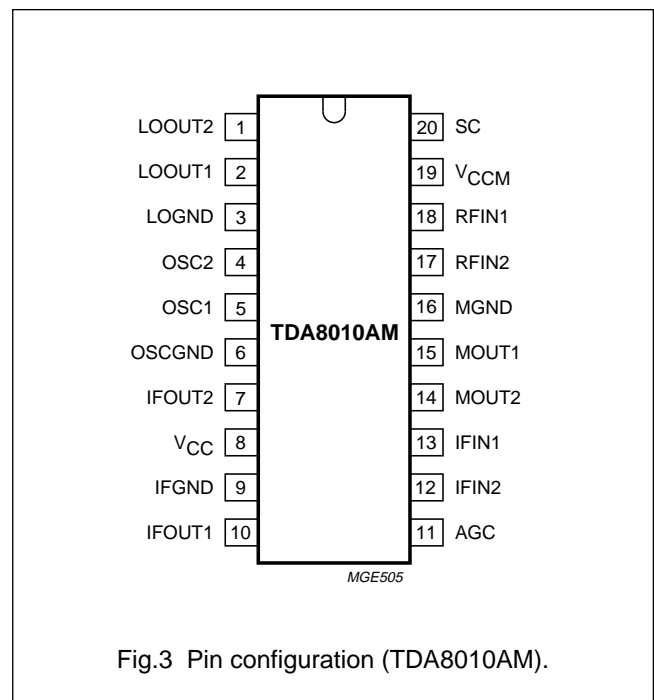
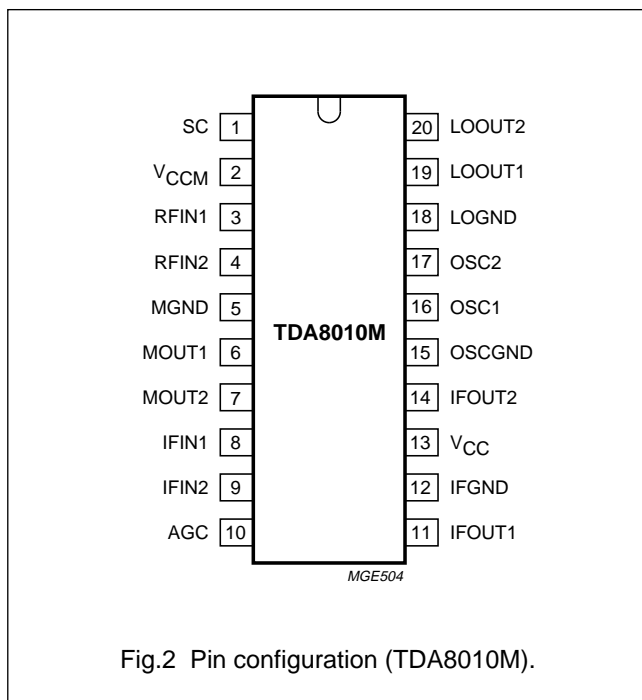
Fig.1 Block diagram.

Low power mixers/oscillators  
for satellite tuners

TDA8010M; TDA8010AM

PINNING

SYMBOL	PINS		DESCRIPTION
	TDA8010M	TDA8010AM	
SC	1	20	IF output switch control
V <sub>CCM</sub>	2	19	supply voltage for mixer
RFIN1	3	18	RF input 1
RFIN2	4	17	RF input 2
MGND	5	16	ground for mixer
MOUT1	6	15	mixer output 1
MOUT2	7	14	mixer output 2
IFIN1	8	13	IF amplifier input 1
IFIN2	9	12	IF amplifier input 2
AGC	10	11	IF amplifier gain control input
IFOUT1	11	10	IF amplifier output 1
IFGND	12	9	ground for IF amplifier
V <sub>CC</sub>	13	8	supply voltage
IFOUT2	14	7	IF amplifier output 2
OSCGND	15	6	ground for oscillator
OSC1	16	5	oscillator tuning circuit input 1
OSC2	17	4	oscillator tuning circuit input 2
LOGND	18	3	ground for local oscillator buffer
LOOUT1	19	2	local oscillator output 1
LOOUT2	20	1	local oscillator output 2



## Low power mixers/oscillators for satellite tuners

TDA8010M; TDA8010AM

### LIMITING VALUES

In accordance with the Absolute Maximum Rating System (IEC 134).

SYMBOL	PARAMETER	MIN.	MAX.	UNIT
$V_{CC}$	supply voltage	-0.3	+6.0	V
$V_{i(max)}$	maximum input voltage on all pins	-0.3	$V_{CC}$	V
$I_{source(max)}$	maximum output source current	-	10	mA
$t_{sc}$	maximum short-circuit time on all outputs	-	10	s
$T_{stg}$	storage temperature	-55	+150	°C
$T_j$	junction temperature	-	150	°C
$T_{amb}$	operating ambient temperature	-20	+80	°C

### THERMAL CHARACTERISTICS

SYMBOL	PARAMETER	VALUE	UNIT
$R_{th\ j-a}$	thermal resistance from junction to ambient in free air	120	K/W

### HANDLING

All pins withstand the ESD test in accordance with "UZW-BO/FQ-A302 (human body model)" and with "UZW-BO/FQ-B302 (machine model)".

## Low power mixers/oscillators for satellite tuners

TDA8010M; TDA8010AM

### CHARACTERISTICS

$V_{CC} = 5\text{ V}$ ;  $T_{amb} = 25\text{ °C}$ ; measured in application circuit of Fig.6; unless otherwise specified.

SYMBOL	PARAMETER	CONDITIONS	MIN.	TYP.	MAX.	UNIT
<b>Supplies</b>						
$V_{CC}$	supply voltage		4.75	5.0	5.25	V
$I_{CC}$	supply current		60	70	80	mA
<b>Mixer</b>						
$f_{RF}$	RF frequency range		700	–	2150	MHz
NF	total noise figure (mixer plus IF); not corrected for image	$V_{AGC} = 0.9V_{CC}$ ; $f_i = 920\text{ MHz}$	–	8	10	dB
		$V_{AGC} = 0.9V_{CC}$ ; $f_i = 2150\text{ MHz}$	–	13	15	dB
$G_M$	available power gain for mixer	$R_L = 2.2\text{ k}\Omega$	–	10	–	dB
$G_{max1}$	maximum total gain (mixer + IFOUT1)	$f_i = 920\text{ MHz}$ ; notes 1 and 2	37	40	–	dB
		$f_i = 2150\text{ MHz}$ ; notes 1 and 2	36	38	–	dB
$G_{min1}$	minimum total gain (mixer + IFOUT1)	notes 1 and 2	–	–30	–14	dB
$G_{max2}$	maximum total gain (mixer + IFOUT2)	$f_i = 920\text{ MHz}$ ; notes 1 and 2	36	39	–	dB
		$f_i = 2150\text{ MHz}$ ; notes 1 and 2	35	37	–	dB
$G_{min2}$	minimum total gain (mixer + IFOUT2)	notes 1 and 2	–	–30	–15	dB
$Z_{I(RF)}$	input impedance ( $R_s + L_s$ )	from 920 to 2150 MHz	20	30	40	$\Omega$
			5	7.5	10	nH
$Z_{O(RF)}$	output impedance ( $R_p/C_p$ ) (open collector)	$f_{IF} = 480\text{ MHz}$	8	12	16	k $\Omega$
			450	550	650	fF
IP3	third-order interception point	see Fig.4	–2	+2	–	dBm
IP2	second-order interception point	see Fig.5	10	25	–	dBm
<b>Local oscillator output</b>						
$V_{LO}$	output voltage	$R_L = 50\ \Omega$	87	90	93	dB $\mu$ V
SRF	spurious signal on LO output with respect to LO output signal	$R_L = 50\ \Omega$ ; note 3	–	–35	–10	dB
$LO_{leak}$	local oscillator leakage	RF input	–	–50	–	dBm
		IF output (mixer)	–	–35	–	dBm
<b>Oscillator</b>						
$f_{osc}$	oscillator frequency range	$V_{CC} = 4.5\text{ to }5.5\text{ V}$ ; $T_{amb} = -20\text{ to }+80\text{ °C}$	1380	–	2650	MHz
$f_{osc(max)}$	maximum oscillator frequency		–	2700	–	MHz
$f_{shift}$	oscillator frequency shift	$V_{CC} = 4.75\text{ to }5.25\text{ V}$ ; at 2550 MHz	–	$\pm 350$	$\pm 500$	kHz
		$V_{CC} = 4.75\text{ to }5.25\text{ V}$ ; at 2650 MHz	–	$\pm 400$	$\pm 600$	kHz
$f_{drift}$	oscillator frequency drift	$\Delta T = 25\text{ °C}$ ; at 2550 MHz	–	–8	–15	MHz
		$\Delta T = 25\text{ °C}$ ; at 2650 MHz	–	–8	–16	MHz

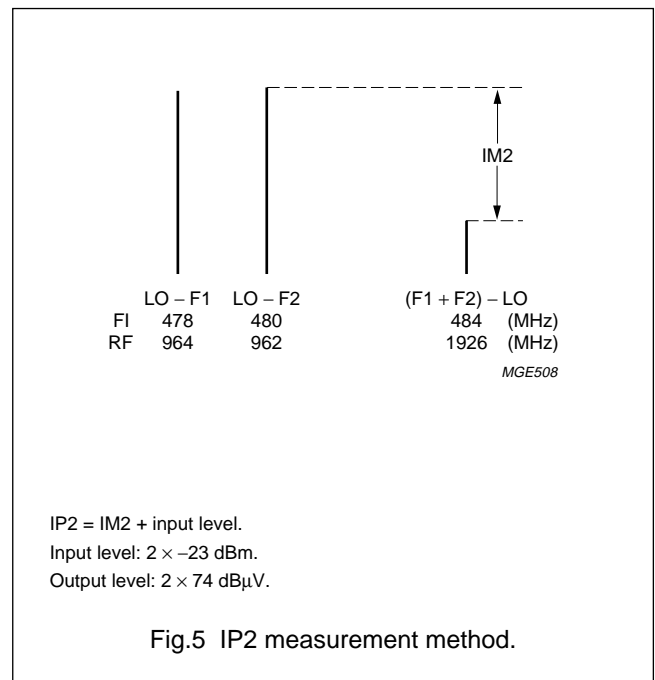
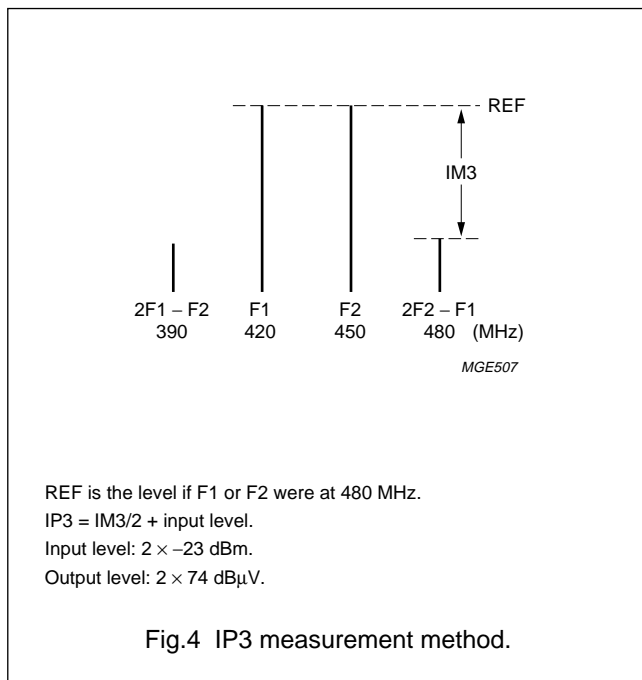
Low power mixers/oscillators  
for satellite tuners

TDA8010M; TDA8010AM

SYMBOL	PARAMETER	CONDITIONS	MIN.	TYP.	MAX.	UNIT
$\Phi_N$	oscillator phase noise	at 100 kHz	88	92	–	dBc
		at 10 kHz	62	69	–	dBc
<b>IF amplifier</b>						
$f_{IF}$	IF frequency range		60	–	625	MHz
$G_{V(max)}$	maximum voltage gain	note 1	–	40	–	dB
$G_{V(min)}$	minimum voltage gain	note 2	–	–30	–	dB
$NF_{IF}$	IF noise figure	note 4	–	8	–	dB
$V_{oIF}$	output voltage level		–	–	85	dB $\mu$ V
$Z_{O(IF)}$	output impedance	single-ended	–	50	–	$\Omega$
$Z_{I(IF)}$	input impedance ( $R_p/L_p$ )		30	33	36	$\Omega$
			5	7	9	nH
$SW_{iso}$	switch isolation	note 5	33	36	–	dB
$V_{SW}$	switch control voltage	IF1 on; IF2 off	$0.8V_{CC}$	–	$V_{CC}$	V
		IF1 off; IF2 on	$0.2V_{CC}$	–	$0.6V_{CC}$	V
		differential output	0	–	$0.07V_{CC}$	V
$R_{I(AGC)}$	AGC input resistance	see Fig.6	–	4	–	k $\Omega$

Notes

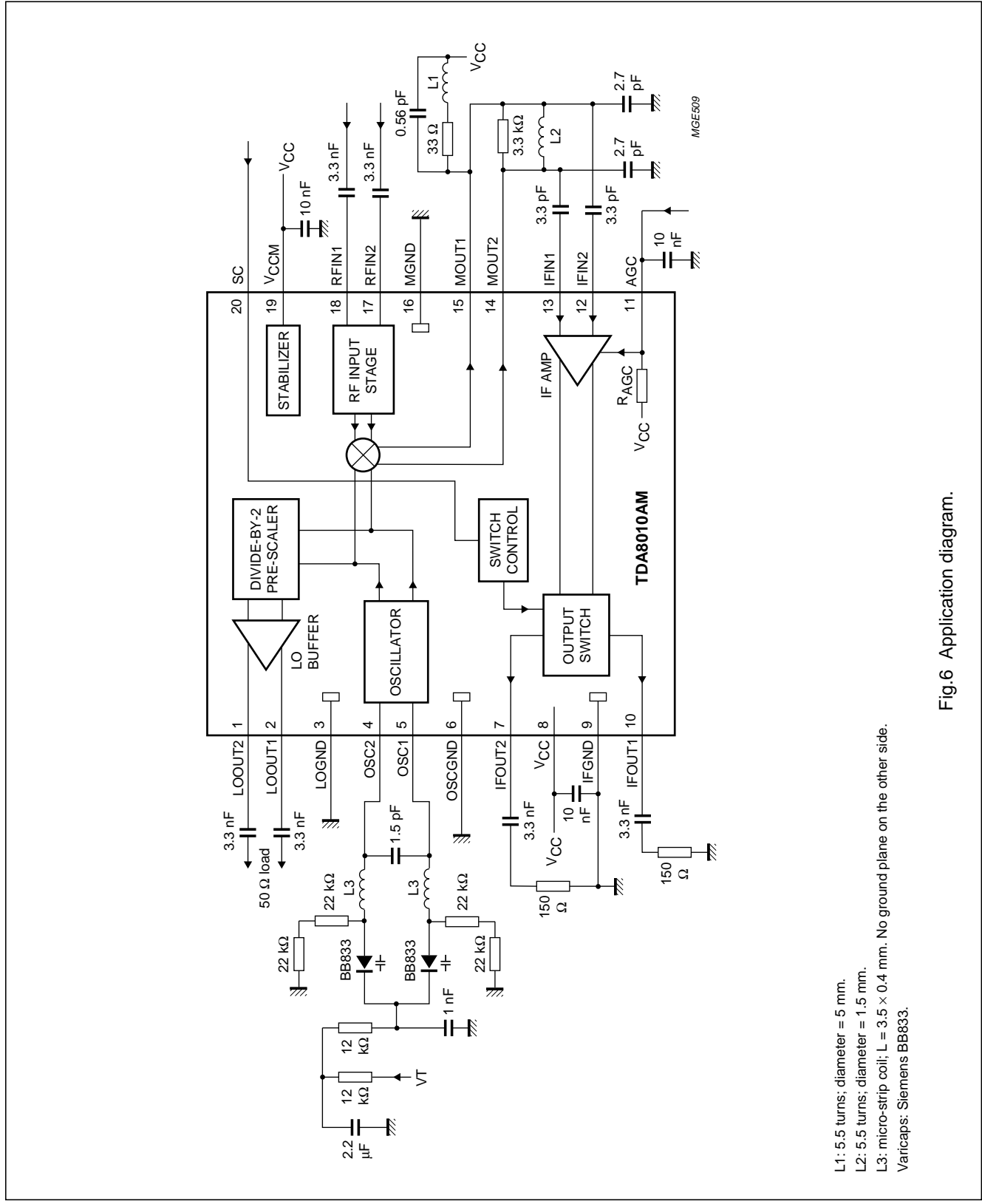
1. Maximum gain:  $V_{AGC} = 0.9V_{CC}$ ;  $f_{IF} = 480$  MHz; IF output single-ended.
2. Minimum gain:  $V_{AGC} = 0.1V_{CC}$ ;  $f_{IF} = 480$  MHz; IF output single-ended.
3. RF input power range =  $-70$  to  $-20$  dBm.
4.  $V_{AGC} = 0.9V_{CC}$ ;  $f_{IF} = 480$  MHz;  $R_{source} = 100 \Omega$ .
5. Switch isolation is defined at an IF output level of 77 dB $\mu$ V;  $f_{IF} = 480$  MHz.



Low power mixers/oscillators  
for satellite tuners

TDA8010M; TDA8010AM

APPLICATION INFORMATION



- L1: 5.5 turns; diameter = 5 mm.
- L2: 5.5 turns; diameter = 1.5 mm.
- L3: micro-strip coil; L = 3.5 × 0.4 mm. No ground plane on the other side.
- Varicaps: Siemens BB833.

Fig.6 Application diagram.



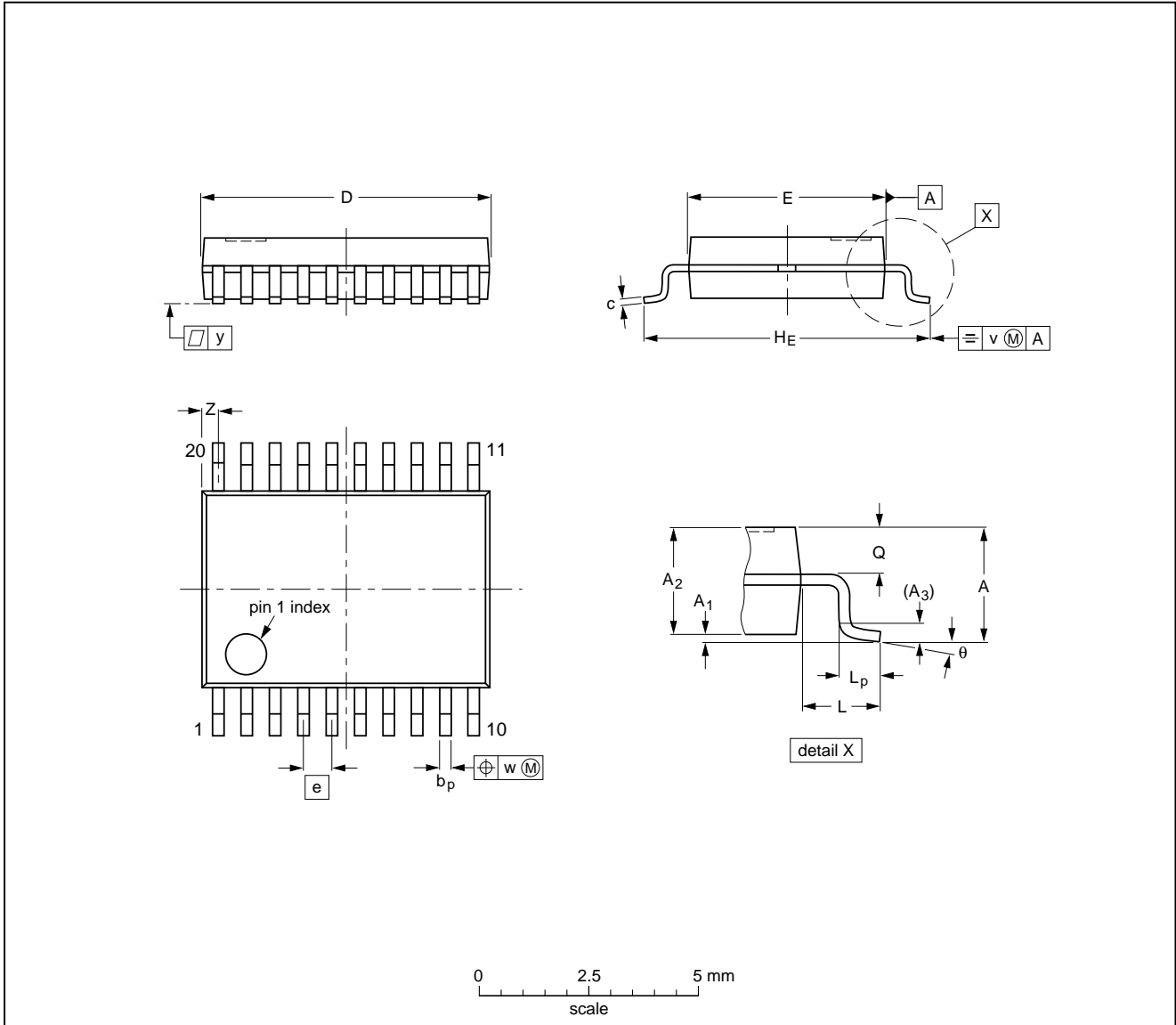
Low power mixers/oscillators  
for satellite tuners

TDA8010M; TDA8010AM

PACKAGE OUTLINE

SSOP20: plastic shrink small outline package; 20 leads; body width 4.4 mm

SOT266-1



DIMENSIONS (mm are the original dimensions)

UNIT	A max.	A1	A2	A3	bp	c	D <sup>(1)</sup>	E <sup>(1)</sup>	e	HE	L	Lp	Q	v	w	y	Z <sup>(1)</sup>	θ
mm	1.5	0.15 0	1.4 1.2	0.25	0.32 0.20	0.20 0.13	6.6 6.4	4.5 4.3	0.65	6.6 6.2	1.0	0.75 0.45	0.65 0.45	0.2	0.13	0.1	0.48 0.18	10° 0°

Note

1. Plastic or metal protrusions of 0.20 mm maximum per side are not included.

OUTLINE VERSION	REFERENCES				EUROPEAN PROJECTION	ISSUE DATE
	IEC	JEDEC	EIAJ			
SOT266-1						90-04-05 95-02-25

## Low power mixers/oscillators for satellite tuners

TDA8010M; TDA8010AM

### SOLDERING

#### Introduction

There is no soldering method that is ideal for all IC packages. Wave soldering is often preferred when through-hole and surface mounted components are mixed on one printed-circuit board. However, wave soldering is not always suitable for surface mounted ICs, or for printed-circuits with high population densities. In these situations reflow soldering is often used.

This text gives a very brief insight to a complex technology. A more in-depth account of soldering ICs can be found in our "IC Package Databook" (order code 9398 652 90011).

#### Reflow soldering

Reflow soldering techniques are suitable for all SSOP packages.

Reflow soldering requires solder paste (a suspension of fine solder particles, flux and binding agent) to be applied to the printed-circuit board by screen printing, stencilling or pressure-syringe dispensing before package placement.

Several techniques exist for reflowing; for example, thermal conduction by heated belt. Dwell times vary between 50 and 300 seconds depending on heating method. Typical reflow temperatures range from 215 to 250 °C.

Preheating is necessary to dry the paste and evaporate the binding agent. Preheating duration: 45 minutes at 45 °C.

#### Wave soldering

Wave soldering is **not** recommended for SSOP packages. This is because of the likelihood of solder bridging due to closely-spaced leads and the possibility of incomplete solder penetration in multi-lead devices.

If wave soldering cannot be avoided, the following conditions must be observed:

- **A double-wave (a turbulent wave with high upward pressure followed by a smooth laminar wave) soldering technique should be used.**
- **The longitudinal axis of the package footprint must be parallel to the solder flow and must incorporate solder thieves at the downstream end.**

**Even with these conditions, only consider wave soldering SSOP packages that have a body width of 4.4 mm, that is SSOP16 (SOT369-1) or SSOP20 (SOT266-1).**

During placement and before soldering, the package must be fixed with a droplet of adhesive. The adhesive can be applied by screen printing, pin transfer or syringe dispensing. The package can be soldered after the adhesive is cured.

Maximum permissible solder temperature is 260 °C, and maximum duration of package immersion in solder is 10 seconds, if cooled to less than 150 °C within 6 seconds. Typical dwell time is 4 seconds at 250 °C.

A mildly-activated flux will eliminate the need for removal of corrosive residues in most applications.

#### Repairing soldered joints

Fix the component by first soldering two diagonally-opposite end leads. Use only a low voltage soldering iron (less than 24 V) applied to the flat part of the lead. Contact time must be limited to 10 seconds at up to 300 °C. When using a dedicated tool, all other leads can be soldered in one operation within 2 to 5 seconds between 270 and 320 °C.

## Low power mixers/oscillators for satellite tuners

TDA8010M; TDA8010AM

### DEFINITIONS

<b>Data sheet status</b>	
Objective specification	This data sheet contains target or goal specifications for product development.
Preliminary specification	This data sheet contains preliminary data; supplementary data may be published later.
Product specification	This data sheet contains final product specifications.
<b>Limiting values</b>	
Limiting values given are in accordance with the Absolute Maximum Rating System (IEC 134). Stress above one or more of the limiting values may cause permanent damage to the device. These are stress ratings only and operation of the device at these or at any other conditions above those given in the Characteristics sections of the specification is not implied. Exposure to limiting values for extended periods may affect device reliability.	
<b>Application information</b>	
Where application information is given, it is advisory and does not form part of the specification.	

### LIFE SUPPORT APPLICATIONS

These products are not designed for use in life support appliances, devices, or systems where malfunction of these products can reasonably be expected to result in personal injury. Philips customers using or selling these products for use in such applications do so at their own risk and agree to fully indemnify Philips for any damages resulting from such improper use or sale.